

# AN5273

## 4.0 W × 2 (18 V, 8 Ω) Power Amplifier with Mute Function and Volume Control

### ■ Overview

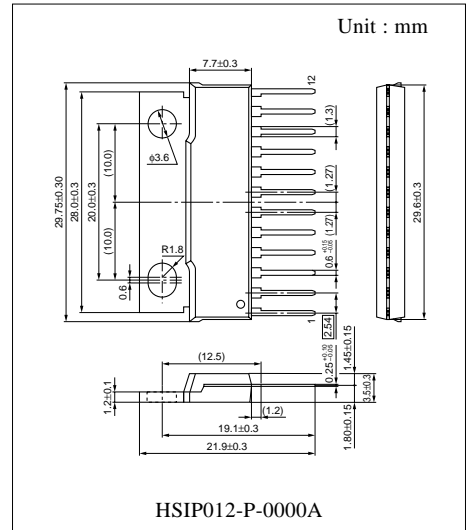
The AN5273 is a monolithic integrated circuit designed for 4.0 W (18 V, 8 Ω) output audio power amplifier. It is a dual channel SEPP IC suitable for stereo operation in TV application.

### ■ Features

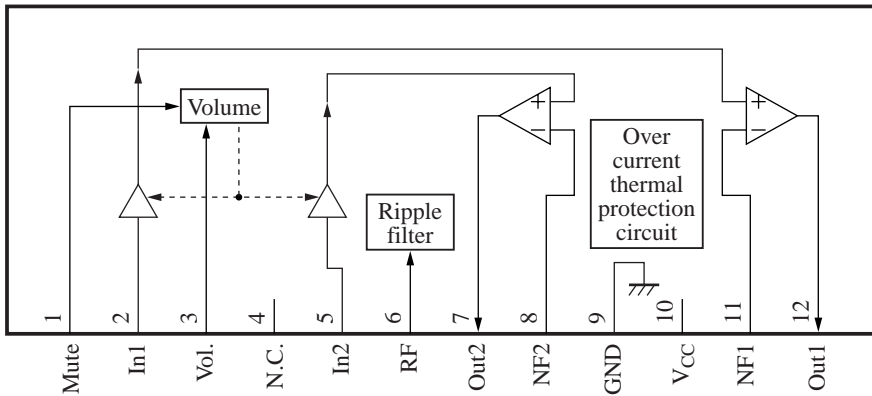
- Built-in DC volume control
- Built-in mute circuit
- Built-in thermal protection circuit
- Built-in over current protection circuit
- $V_{CC}$  operating range : 12.2 V to 27.5 V

### ■ Applications

- TV



### ■ Block Diagram



### ■ Pin Descriptions

Pin No.	Description	Pin No.	Description
1	Mute control	7	Ch.2 output
2	Ch.1 input	8	Negative feedback ch.2
3	Volume control	9	GND
4	N.C.	10	V <sub>CC</sub>
5	Ch.2 input	11	Negative feedback ch.1
6	Ripple filter	12	Ch.1 output

### ■ Absolute Maximum Ratings

Parameter	Symbol	Rating	Unit
Supply voltage	V <sub>CC</sub>	30	V
Supply current	I <sub>CC</sub>	3.5	A
Power dissipation *2	P <sub>D</sub>	37.5	W
Operating ambient temperature *1	T <sub>opr</sub>	-25 to +75	°C
Storage temperature *1	T <sub>stg</sub>	-55 to +150	°C

Note) \*1 : T<sub>a</sub> = 25 °C except power dissipation, operating ambient temperature and storage temperature.

\*2 : Power dissipation of the package at T<sub>a</sub> = 75 °C.

### ■ Recommended Operating Range

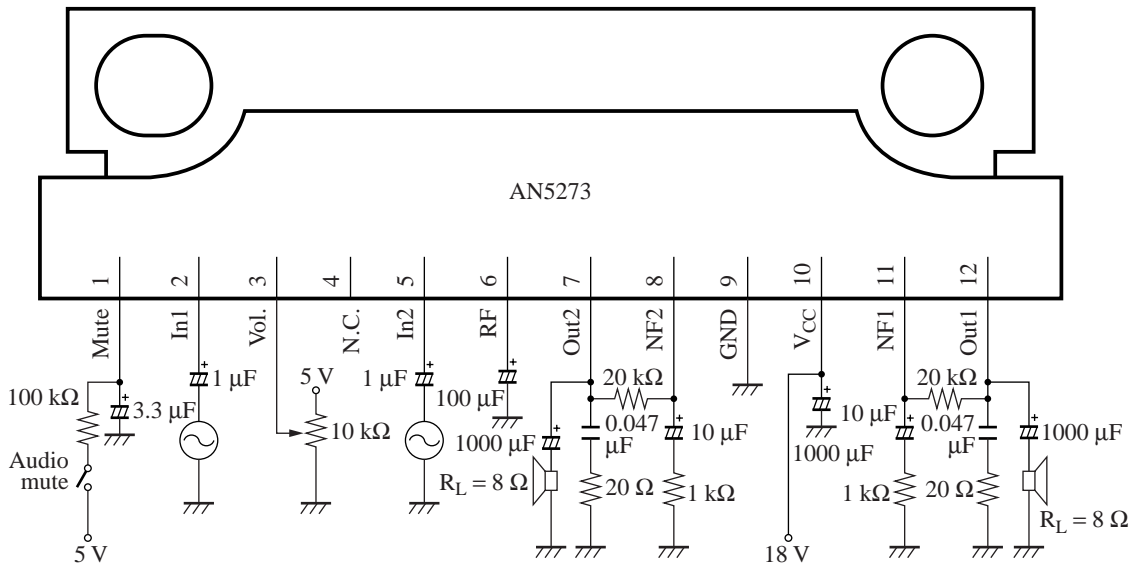
Parameter	Symbol	Range	Unit
Supply voltage	V <sub>CC</sub>	12.2 to 27.5	V

### ■ Electrical Characteristics at V<sub>CC</sub> = 18 V, f = 1 kHz, R<sub>L</sub> = 8 Ω, T<sub>a</sub> = 25 °C

Parameter	Symbol	Conditions	Min	Typ	Max	Unit
Quiescent current	I <sub>CQ</sub>	No input signal	17	25	33	mA
Voltage gain	G <sub>V</sub>	V <sub>IN</sub> = 90 mV	28	30	32	dB
Total harmonic distortion *1	THD	V <sub>IN</sub> = 90 mV		0.3	1.0	%
Output power *1	P <sub>O</sub>	THD = 10 %	3.6	4.1		W
Channel balance	CB	V <sub>IN</sub> = 90 mV	-1	0	1	dB
Max. volume attenuation *1	Att	V <sub>IN</sub> = 90 mV		-70	-64	dB
Mute attenuation *1	M <sub>Att</sub>	V <sub>IN</sub> = 90 mV		-70	-64	dB
Output noise voltage *1	V <sub>NO</sub>	R <sub>g</sub> = 10 kΩ, Din-Audio Filter		0.6	1.0	mV[rms]

Note) \*1 : With a filter band from 20 Hz to 20 kHz used.

### ■ Application Circuit Example



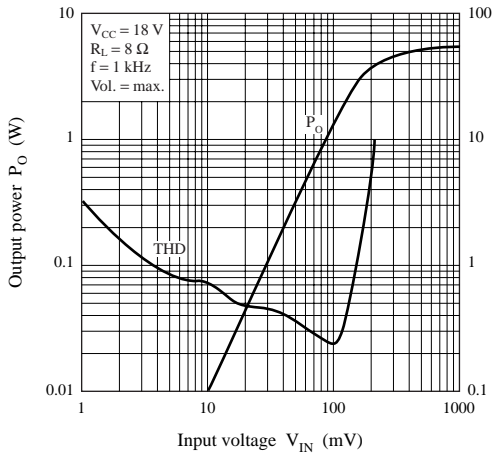
### ■ Usage Notes

- 1) Depending on the maximum application output power, external heatsink may be needed.  
External heatsink should be fixed to the chassis.
- 2) Fin of the IC can be connected to GND.
- 3) Please prevent output to  $V_{CC}$  short and output to GND short.
- 4) The temperature protection circuit will operate at  $T_j$  around 150 °C. However, if the temperature decreases, the protection circuit would automatically be deactivated and resume normal operation.

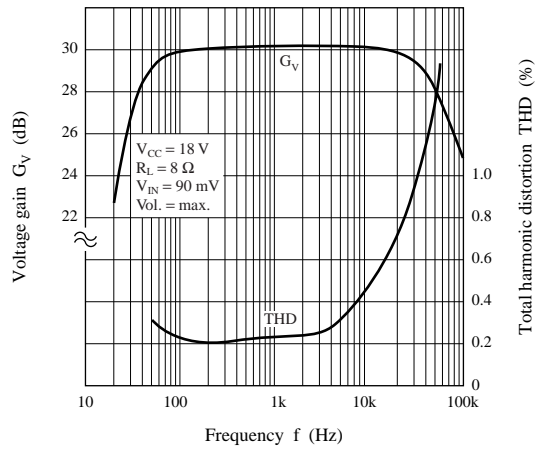
■ Technical Information

1.Characteristic Curve Chart

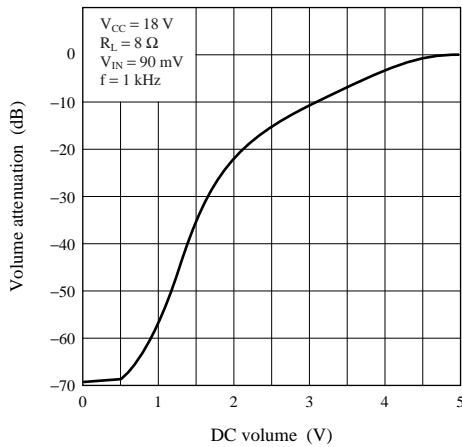
$P_O, THD \text{ — } V_{IN}$



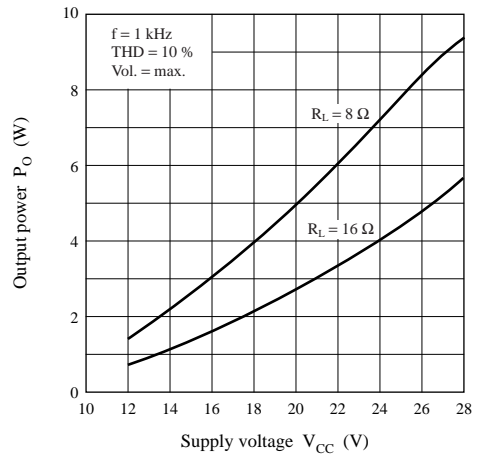
$G_V, THD \text{ — } f$



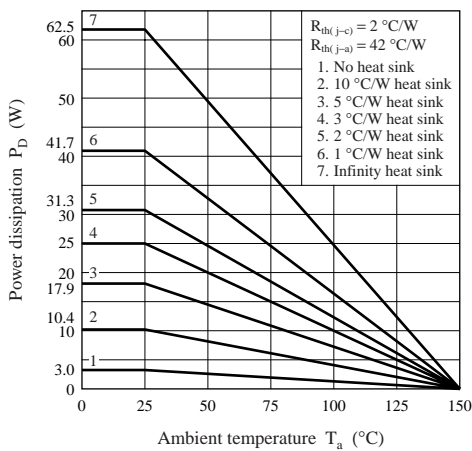
DC volume characteristics



$P_O \text{ — } V_{CC}$



$P_D \text{ — } T_a$

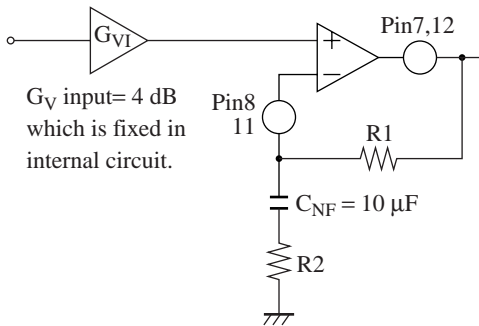


■ Technical Information (continued)

2. Application Note

1) Voltage gain

The voltage gain of the AN5273 can be varied by changing the resistor R2 as shown below :



R1 is always fixed at 20 kΩ.  
 R2 is variable.  
 $G_{VO} = 20 \log (R_1/R_2)$   
 Typical values are : R<sub>1</sub> = 20 kΩ, R<sub>2</sub> = 1 kΩ  
 $G_{VO} = 20 \log (20 \text{ k}/1 \text{ k})$   
 $= 26 \text{ dB}$   
 $G_{VTOTAL} = G_{V1} + G_{VO}$   
 $= 4 \text{ dB} + 26 \text{ dB}$   
 $= 30 \text{ dB}$

2) DC volume control

The DC volume control range is 0 V to 5 V. This range is used in order to be easily controlled by micro-computer using PWM output. The recommended circuit and volume attenuation characteristic are shown below :

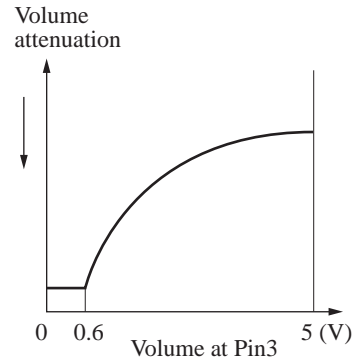
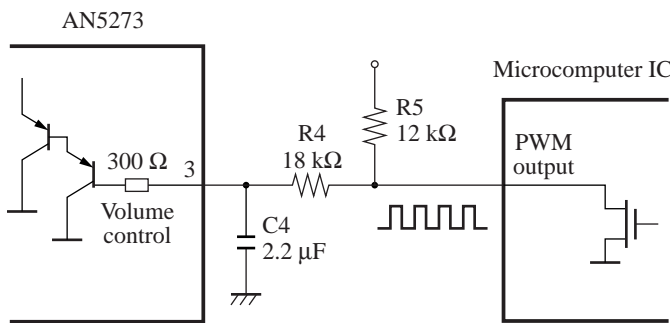
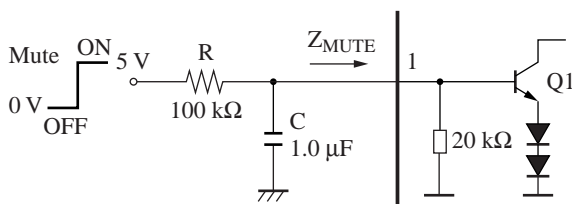


Fig. Volume control interface circuit for AN5273

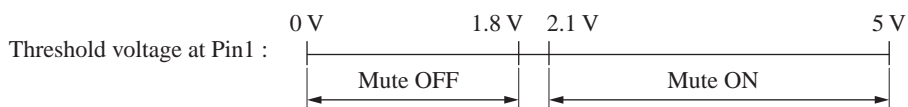
Fig. Volume characteristic of AN5273

3) Mute control

Mute is ON when 5 V is applied to Pin1. Then Q1 would turn ON and able to drive other part of the circuits. The external RC components provide a time constant for switching ON and OFF.



The purpose of the Mute is to attenuate the AC signal before it goes to the output.

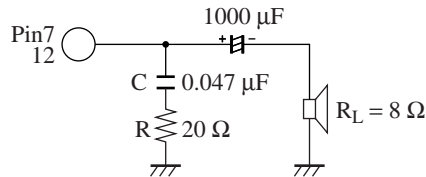


## ■ Technical Information (continued)

### 2. Application Note (continued)

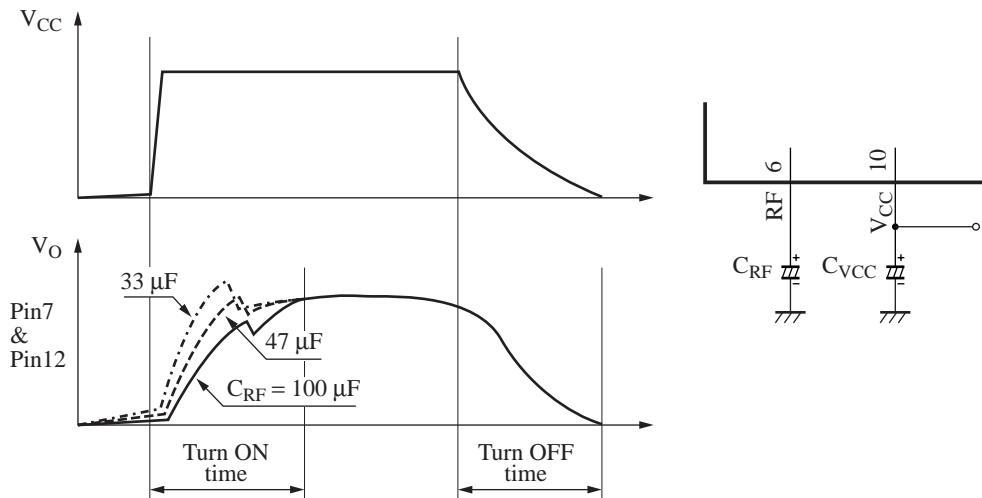
#### 4) Oscillation

To prevent oscillation, it is advisable to use RC (Zobel network) at output. C of polyester film capacitor has smaller characteristic fluctuation with temperature and frequency. The resistor R connected in series with C is effective for phase correction at high frequency, and as a result, it improves the oscillation allowance.



#### 5) Power-ON/OFF pop-noise elimination

The output pins 7, 12 and  $V_O$ , during power turn ON and OFF are shown below :



The turn ON time in the AN5273 is determined by the capacitance value of  $C_{RF}$ . If value of the  $C_{RF}$  is smaller,  $V_O$  will turn ON faster.

The turn OFF time is dependent on the capacitance value of  $C_{VCC}$ . Pop-noise would occur when  $V_{CC}$  voltage declines faster than RF voltage. To solve this, increase the discharge time of  $V_{CC}$  by increasing the capacitance values of  $C_{VCC}$ .

The recommended values of capacitance for  $C_{VCC}$  and  $C_{RF}$  are shown below :

No.	$C_{RF}$	$C_{VCC}$	Recommended Operating $V_{CC}$ Range	Unit
1	33 $\mu$ F	470 $\mu$ F	14.5 to 27.5	V
2	47 $\mu$ F	470 $\mu$ F	12.2 to 27.5	V
3	100 $\mu$ F	1000 $\mu$ F	12.2 to 27.5	V

## ■ Technical Information (continued)

### 2. Application Note (continued)

#### 6) Stand-by circuit

Stand-by function can be implemented in the AN5273 by external solution. It is realised by pulling the RF voltage to low and output voltage would follow RF as shown in the diagram.

